

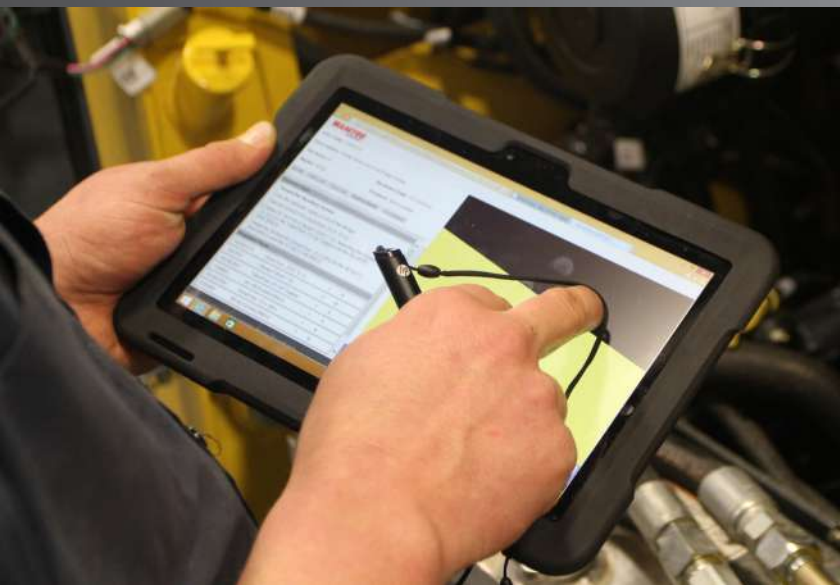
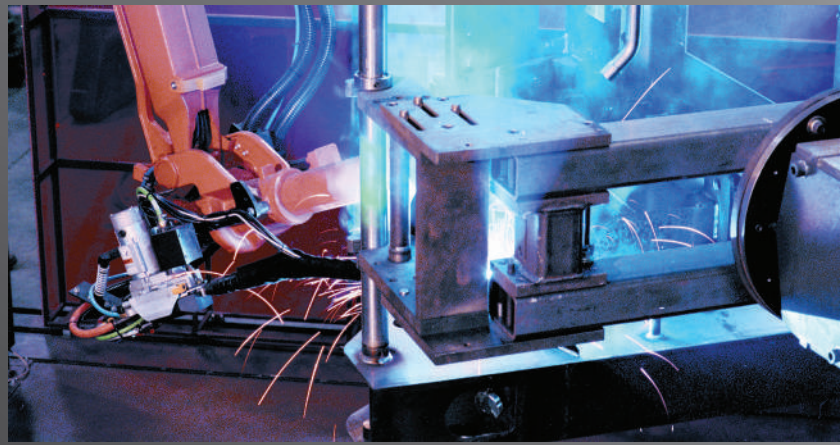
ARTICULATED LOADERS



650 | 750



A LEGACY OF INNOVATION



IN 1859, AN AGRICULTURAL IMPLEMENT COMPANY, HOUSED IN A BLACKSMITH SHOP, WAS STARTED IN WEST BEND, WISCONSIN.

FROM THESE HUMBLE BEGINNINGS, THE GEHL BRAND HAS BECOME A MAJOR FORCE IN THE COMPACT EQUIPMENT INDUSTRY WORLDWIDE.

Since the beginning, Gehl has focused on providing solutions to our customer's needs by building quality, reliable products. With a long history of reliability and innovation, Gehl is responsive to the equipment and service needs of our customers.

With modern compact equipment manufacturing facilities in Yankton and Madison, South Dakota, and a state-of-the-art research and design facility in West Bend, Wisconsin, Gehl ensures that they are equipped with the finest in technology, tools and materials. And our top corps of engineers are skilled in designing and enhancing high-quality machines to fit the specific needs of our customers. Our equipment is modern in design and performance, but not too complicated to operate or service.

And when you purchase a piece of Gehl equipment, you have an entire organization behind you and your business. When you need support, whether it be financing, parts or service, know that Gehl will be there to provide an exceptional experience. We continually strive to preserve the level of personalized attention that Gehl began with in 1859.

THE NEXT BIG THING FROM GEHL

WELCOME TO THE ARTICULATED LOADER FAMILY.

Weighing in at 4-5 metric tons, the 650 and 750 are the largest wheel loaders in the Gehl product offering. With articulated steering and speeds up to 19 mph (30 km/hr), these powerhouses deliver excellent maneuverability and fast work cycles. And as North America's largest manufacturer of compact wheel loaders, Gehl customers benefit from the convenience and cost savings of a local manufacturer.

650



750



PERFORMANCE

● POWER and ● PERFORMANCE

TURNING HEADS AROUND THE WORLD



● PROPORTIONAL AUXILIARY HYDRAULICS

Proportional auxiliary hydraulics are standard equipment and activated with a rocker switch on the joystick. Detent and pressure relief are included to optimize attachment hook-up and performance.

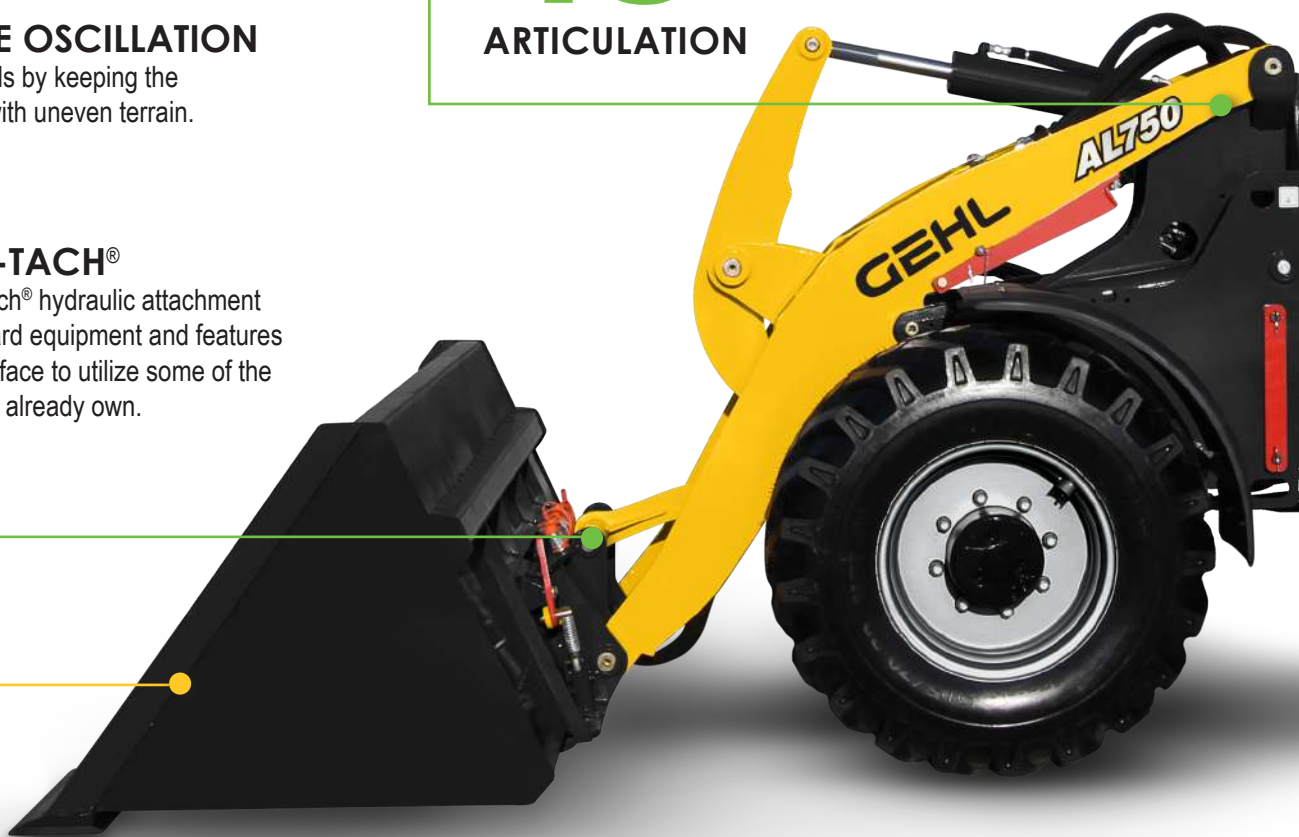
● 10 DEGREE OSCILLATION

Maintain full loads by keeping the tires in contact with uneven terrain.

● **45°**
ARTICULATION

● POWER-A-TACH®

The Power-A-Tach® hydraulic attachment system is standard equipment and features a skid steer interface to utilize some of the attachments you already own.



● HIGH-IMPACT BUCKET BREAKOUT

These machines offer some of the highest breakout forces in their respective classes, allowing you to fill the bucket to the max with each scoop, increasing productivity output.

● INCHING PEDAL

The inching pedal offers maximum precision speed control, while maintaining the full force needed to lift the load.

LIFT HEIGHT

650 130.5" (3315 mm)
 750 136.8" (3474 mm)



FULL TURN TIP CAPACITY

650 (4-post)	4,917 lbs. (2230 kg)
650 (cab)	5,244 lbs. (2379 kg)
750 (4-post)	5,778 lbs. (2621 kg)
750 (cab)	6,126 lbs. (2779 kg)

KING OF COMFORT

A seven-way adjustable seat, multi-function joystick, fully-adjustable steering column and cup holder are standard cab features.



MIGHTY MANEUVERS

Articulated steering brings a tight turning radius to speed up cycle times and increase maneuverability in tight areas.

FRONT & REAR LOCKING DIFFERENTIALS

Conveniently located on the joystick, one button will activate four wheel drive for maximum tractive effort when pushing into a pile.

EASY ENTRY

A low, non-slip step is essential for tasks requiring the operator to frequently enter and exit the machine.



OPERATOR STATION

COMFORT and SAFETY

DIGITAL DISPLAY

This information center shows real time fuel consumption, engine RPM's, machine hours, engine diagnostic codes, warning indicators and more.



ADJUSTABLE ARM REST

2" (51 mm) SEATBELT

Optional 3" (76 mm) seatbelt available

OPERATOR PRESENCE

The machine safety system allows operation only when the user is on the seat.

FULLY ADJUSTABLE STEERING COLUMN

VISIBILITY

Wide openings in the front and side of the machine provide 360 degree visibility of job surroundings and bystanders.

MULTI-FUNCTION JOYSTICK

Controls nearly all loader hydraulic functions from one joystick, allowing the operator to keep one hand on the steering wheel for increased safety and efficiency.

EASY ENTRY AND EXIT

Wide opening and a low, non-slip step allow for easy access to the operator station.

OPERATOR STATION CONFIGURATIONS

4-POST



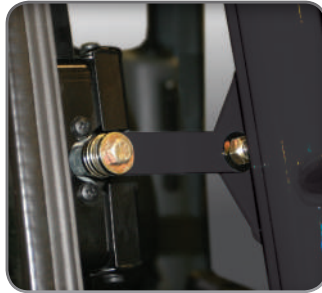
CAB



*ROPS with Front and Rear Glass Option Not Shown

● OPERATOR STATION COMFORT FEATURES

● THREE DOOR POSITIONS



VENTILATION

On cab models, the door can be positioned three ways to customize air flow.



BLUETOOTH

A hands-free bluetooth mp3 capable radio with weather-proof speakers is optional.



CLIMATE CONTROL

Heat is standard on all cab models. Upgrade to air conditioning for total comfort.

● CUP HOLDER



● **ADJUSTABLE SEAT**

A seven-way adjustable seat provides exceptional operator comfort. On 4-post models, a drain in the seat provides excellent drainage in wet conditions.



GEHL®

OPERATOR STATION

● MAINTENANCE and ● SAFETY

● ROPS/FOPS LEVEL I

● EXCELLENT 360 DEGREE VISIBILITY

EXCELLENT 360 DEGREE VISIBILITY FOR SAFE AND PRECISE OPERATION

Excellent visibility to the front, sides and rear of the machine allow for precise placement of loads and reduced jobsite incidents. A high-mounted seat provides an excellent vantage point to the attachment.



LESS DOWNTIME PUTS MONEY IN YOUR POCKET

- **AUDIBLE WARNING DEVICES**

A horn is standard equipment. An optional backup alarm alerts bystanders of machine presence.

- **REVERSING FAN**

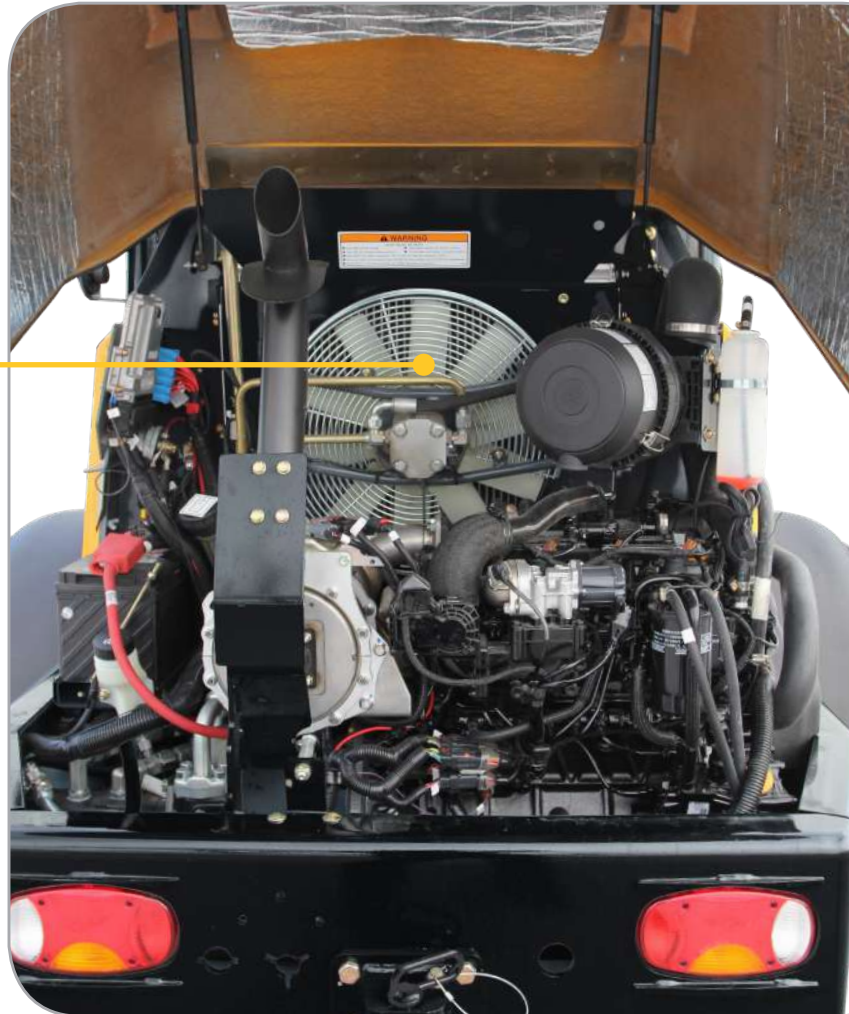
Fan can be temporarily reversed to eject debris from the hydraulic and engine cooler, simply by pushing a button in the cab.

- **ARTICULATION LOCKING BAR**

During transport or lifting, the articulation locking bar provides additional stability and safety.

- **REMOVABLE SIDE PANELS**

Two removable side panels grant access to the back of the cab, the front of the cooler, and the hydraulic filter.



- **TOOL-FREE ACCESS**

A lockable, self-opening hood allows access to the engine, hydraulic pumps, battery, fuse panels, fan motor and more.

- **HEAVY-DUTY COMPONENTS**

Robust cast joint and bearings are designed to last the life of the machine. All grease fittings in the articulation joint are easily accessible.

ATTACHMENTS

CRAVE FLEXIBILITY? GEHL ARTICULATED LOADERS ARE THE PERFECT SOLUTION.

Compatible with most allied loader attachments, articulated loaders from Gehl provide superior loader functionality while minimizing damage to ground surfaces. Perfect for landscape, agriculture, construction or rental – these machines are up for any challenge.



BEST SELLERS LIST

	650	750
● No hydraulics required		
AUGERS - CHAIN DRIVE		
1650CL Auger Drive, Round - Complete	Std. Flow	Std. Flow
1650CLH Auger Drive, Hex - Complete	Std. Flow	Std. Flow
AUGERS - PLANETARY DRIVE		
PA210 Planetary Auger Drive, Round - Complete	Std. Flow	Std. Flow
PA210H Planetary Auger Drive Only with top link, Hex	Std. Flow	Std. Flow
AUGERS - BITS		
SQ 9" (229 mm) Auger Bit - Round - 4 teeth - 2 9/16" (65 mm)	●	●
SQ 12" (305 mm) Auger Bit - Round - 4 teeth - 2 9/16" (65 mm)	●	●
SQ 18" (457 mm) Auger Bit - Round - 6 teeth - 2 9/16" (65 mm)	●	●
SQ 24" (610 mm) Auger Bit - Round - 9 teeth - 2 9/16" (65 mm)	●	●
SQ 9" (229 mm) Auger Bit - Hex - 4 teeth - 2" (51 mm)	●	●
SQ 12" (305 mm) Auger Bit - Hex - 4 teeth - 2" (51 mm)	●	●
SQ 18" (457 mm) Auger Bit - Hex - 6 teeth - 2" (51 mm)	●	●
SQ 24" (610 mm) Auger Bit - Hex - 9 teeth - 2" (51 mm)	●	●
TSQ 36" (914 mm) Tree & Shrub Auger Bit - Hex - 14 teeth - 2" (51 mm)	●	●
ANGLE BROOM		
72" (1828 mm) Angle Broom with Hydraulic Angle - Single Motor	Std. Flow	Std. Flow
84" (2134 mm) Angle Broom with Hydraulic Angle - Single Motor	Std. Flow	Std. Flow
BALE MOVERS		
Double Round Bale Spear - 42" (1067 mm), 3000 lb. (1361 kg) capacity	●	●
Square Bale Spear (3 tines) - 26" (660 mm), 3000 lb. (1361 kg) capacity	●	●
BS2400 - Hydraulic Bale Squeeze, Universal Mount	Std. Flow	Std. Flow
BUCKETS - SPECIALTY		
72" (1829 mm) Skeleton Rock Bucket - 23 tines	●	●
Slab Lifter Bucket	●	●
Stump Removal Bucket	●	●
BRUSH ROOT GRAPPLE		
66" (1676 mm) Brush Root Grapple, Standard Duty	Std. Flow	Std. Flow
72" (1829 mm) Brush Root Grapple, Standard Duty	Std. Flow	Std. Flow
HITCH ADAPTER		
Hitch Adapter	●	●
PALLET FORK GRAPPLE		
Pallet Fork Frame with Grapple	Std. Flow	Std. Flow
Standard Class II Tine 42" (1066 mm) (single tine)	●	●
STUMP GRINDER		
Stump Grinder, Hinged Self Feeding	Std. Flow	Std. Flow

● GET ATTACHED

TIME IS PRICELESS ON THE JOBSITE, SO GEHL HAS MADE IT SIMPLE AND FAST TO HOOK UP A WIDE VARIETY OF ATTACHMENTS.



● ATTACHMENT MOUNTING SYSTEM

The Power-A-Tach® hydraulic attachment system is standard equipment and features a skid steer interface to utilize some of the attachments you already own.

A WIDE VARIETY OF EDGE ATTACHMENTS ARE AVAILABLE FROM YOUR GEHL DEALER.



	4-POST	CAB	4-POST	CAB
FEATURES	650	750		
STRUCTURE				
4-Post Canopy - ROPS/FOPS Certified	●		●	
4-Post Canopy with Front and Rear Windows	●		●	
Cabin with Heat		●		●
Cabin with Heat and Air Conditioning		●		●
PERFORMANCE				
Power-A-Tach® Attachment Mounting System	●	●	●	●
Proportional Auxiliary Hydraulics with Case Drain and Circuit Pressure Dump	●	●	●	●
Tapered Z-bar Loader Linkage with Mechanical Self-Level and Return-to-Dig	●	●	●	●
Hydraglide™ Ride Control	●	●	●	●
Rear Auxiliary Hydraulics	●	●	●	●
Additional Set of Front Auxiliary Hydraulics	●	●	●	●
High-Flow Auxiliary Hydraulics	●	●	●	●
Hydrostatic 2-Speed Transmission	●	●	●	●
Tilt and Lift Arm Float Detent with Detent Disable	●	●	●	●
Oscillating Front Frame	●	●	●	●
Differential Lock (Hydraulically Activated Front and Rear)	●	●	●	●
Electric Attachment Control 14-Pin Harness with Switches	●	●	●	●
Articulation Locking Bar (conforms to SAEJ276)	●	●	●	●
3-Speed				
650 7 / 12 / 19 mph (11 / 20 / 30 km/hr)	●	●	●	●
750 5 / 12 / 19 mph (8 / 20 / 30 km/hr)	●	●	●	●
Inching Pedal	●	●	●	●
Rear Mount – Clevis	●	●	●	●
Rear Mount – Receiver	●	●	●	●
ENGINE				
Engine Block Heater	●	●	●	●
ELECTRICAL SYSTEM				
Lift / Tilt Electronic Lockout Switch	●	●	●	●
Master Electrical Disconnect Switch	●	●	●	●
Emergency Lift Arm Lower Switch	●	●	●	●
OPERATOR STATION				
Digital Display with Audible and Visual Indicators	●	●	●	●
Multi-Function Joystick	●	●	●	●
Steering Column with Tilt and Extension Adjustments	●	●	●	●
Cup Holder	●	●	●	●
Horn	●	●	●	●
Seven-Way Adjustable Mechanical Seat	●	●	●	●
Seven-Way Adjustable Air Suspension Seat	●	●	●	●
Seven-Way Adjustable Deluxe Cloth Air Suspension Seat		●		●
Adjustable Arm Rest	●	●	●	●
3-inch (75 mm) Seatbelt	●	●	●	●
Removable Rubber Floor mat	●	●	●	●
12-Volt Socket in Arm Rest	●	●	●	●
Front and Rear 12-Volt Electric Auxiliary	●	●	●	●
Side View Mirrors	●	●	●	●
Lockable Tool Box	●	●	●	●
Radio	●	●	●	●
Back-up Alarm	●	●	●	●
Speed Control	●	●	●	●
Sound Reduction Package	●	●	●	●
Reverse and Brake Tail Lights	●	●	●	●
WORK LIGHTS				
Rotating Beacon	●	●	●	●
Strobe Light	●	●	●	●
LED Work Lights	●	●	●	●

● STANDARD EQUIPMENT

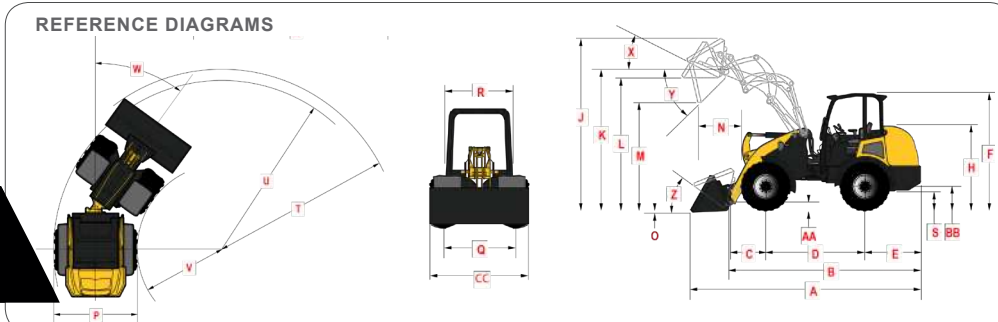
● OPTIONAL EQUIPMENT

SPECIFICATIONS

	650 - Canopy	650 - Cab	750 - Canopy	750 - Cab	
DIMENSIONS	A. Length with Bucket on Ground (mm)	199.9" (5077)	199.9" (5077)	205.5" (5220)	205.5" (5220)
	B. Shipping Length (mm)	167.7" (4260)	167.7" (4260)	174.9" (4443)	174.9" (4443)
	C. Front Wheel Center to Pivot Pin (mm)	32.8" (833)	32.8" (833)	36.7" (931)	36.7" (931)
	D. Wheelbase (mm)	79" (2007)	79" (2007)	81.2" (2063)	81.2" (2063)
	E. Rear Overhang (mm)	52.2" (1326)	52.2" (1326)	52.1" (1323)	52.1" (1323)
	F. Height to Top of Cab (mm)	97.1" (2467)	97.1" (2467)	97.5" (2476)	97.5" (2476)
	H. Hood Height (mm)	69.9" (1775)	69.9" (1775)	69.6" (1768)	69.6" (1768)
	J. Maximum Operating Height (mm)	157.8" (4008)	157.8" (4008)	163.8" (4160)	163.8" (4160)
	K. Bucket Hinge Pin Height (mm)	130.5" (3315)	130.5" (3315)	136.8" (3474)	136.8" (3474)
	L. Ground Plane to Bucket Edge Height (mm)	123" (3125)	123" (3125)	129" (3280)	129" (3280)
	M. Dump Clearance at Full Height (mm)	99" (2515)	99" (2515)	106.7" (2710)	106.7" (2710)
	N. Dump Reach at Full Height (mm)	20.9" (529)	20.9" (529)	22.4" (569)	22.4" (569)
	P. Width over Tires - Narrow / Wide (mm)	64.7" / 79.4" (1645 / 2017)	64.7" / 79.4" (1645 / 2017)	68.4" / 77.1" (1736 / 1957)	68.4" / 77.1" (1736 / 1957)
	Q. Tire Gauge	48.4" / 62.8" (1230 / 1595)	48.4" / 62.8" (1230 / 1595)	52.4" / 60.8" (1327 / 1544)	52.4" / 60.8" (1327 / 1544)
	R. ROPS Width (mm)	53.9" (1370)	53.9" (1370)	57.1" (1451)	57.1" (1451)
	S. Ground Clearance (mm)	14.6" (370)	14.6" (370)	12.3" (313)	12.3" (313)
	T. Turning Radius with Bucket (mm)	143.2" (3637)	143.2" (3637)	155.3" (4159)	155.3" (4159)
	U. Outer Turning Radius (mm)	130.3" (3310)	130.3" (3310)	134.2" (3409)	134.2" (3409)
	V. Inner Turning Radius (mm)	62.1" (1577)	62.1" (1577)	63.8" (1620)	63.8" (1620)
	W. Articulation Angle from Center (mm)	45°	45°	45°	45°
	X. Rollback at Height	45°	45°	45°	45°
	Y. Maximum Dump Angle at Full Height	45°	45°	45°	45°
Z. Bucket Rollback at Ground	45°	45°	45°	45°	
AA. Attachment Pivot Clearance (mm)	7.5" (190)	7.5" (190)	7.5" (190)	7.5" (190)	
BB. Wheel Radius (mm)	19.5" (495)	19.5" (495)	19.5" (495)	19.5" (495)	
CC. Bucket Width - standard (mm)	66" (1676)	66" (1676)	84" (2134)	84" (2134)	
ENGINE	Engine Manufacturer	Yanmar	Yanmar	Deutz	Deutz
	Model / Number of Cylinders	4TNV98CT / 4	4TNV98CT / 4	TD 3.6 L4 / 4	TD 3.6 L4 / 4
	Displacement (L)	0.87 gal. (3.3 L)	0.87 gal. (3.3 L)	0.95 gal (3.6 L)	0.95 gal (3.6 L)
	Power (kW) @ 2300 rpm ¹	64.4 hp (48)	64.4 hp (48)	74.3 hp (55)	74.3 hp (55)
LOAD CAPACITIES	Static Tipping Load with Bucket				
	Straight (kg)	6,409 lbs. (2907)	6,743 lbs. (3059)	7,446 lbs. (3378)	7,907 lbs. (3587)
	Full Turn (kg)	4,917 lbs. (2230)	5,244 lbs. (2379)	5,778 lbs. (2621)	6,126 lbs. (2779)
	Static Tipping Load with Pallet Forks				
	Straight (kg)	4,980 lbs. (2259)	5,302 lbs. (2405)	6,044 lbs. (2741)	6,354 lbs. (2882)
	Full Turn (kg)	3,921 lbs. (1778)	4,157 lbs. (1885)	4,793 lbs. (2174)	5,006 lbs. (2271)
	Bucket Breakout (kg)	12,661 lbf (5743)	12,661 lbf (5743)	13,020 lbf (5906)	13,020 lbf (5906)
Operating Weight (kg)	9,150 lbs. (4150)	9,500 lbs. (4309)	10,540 lbs. (4781)	10,920 lbs. (4953)	
HYDRAULICS	Work Hydraulic System Flow (L/min) STD	18.4 gpm (69.5)	18.4 gpm (69.5)	18.4 gpm (69.5)	18.4 gpm (69.5)
	High-Flow Auxiliary Hydraulics - optional (L/min)	25.6 gpm (96.9)	25.6 gpm (96.9)	30.2 gpm (114.3)	30.2 gpm (114.3)
	Work Hydraulic System Pressure (bar)	2,900 psi (200)	2,900 psi (200)	2,900 psi (200)	2,900 psi (200)
	Drive Hydraulic System Pressure (bar)	6,092 psi (420)	6,092 psi (420)	5,511 psi (380)	5,511 psi (380)
Drive Hydraulic Reservoir Capacity (L)	19.5 gal. (73.8)	19.5 gal. (73.8)	19.5 gal. (73.8)	19.5 gal. (73.8)	
OTHER	Battery	12-volt	12-volt	12-volt	12-volt
	Fuel Tank Capacity (L)	25 gal. (95)	25 gal. (95)	27 gal. (102)	27 gal. (102)
	Maximum Travel Speed (km/hr)	7/12/19 mph (11/20/30)	7/12/19 mph (11/20/30)	5/12/19 mph (8/20/30)	5/12/19 mph (8/20/30)
	Tire Size - Standard	405 / 70-20	405 / 70-20	405 / 70-20	405 / 70-20
	405 / 70 - 20 14 Ply MPT03	64.7 / 79.4 (1645 / 2017)	64.7 / 79.4 (1645 / 2017)	68.4 / 77.1 (1736 / 1957)	68.4 / 77.1 (1736 / 1957)
	405 / 70R20 Radial Industrial Tires	64.7 / 79.4 (1645 / 2017)	64.7 / 79.4 (1645 / 2017)	68.4 / 77.1 (1736 / 1957)	68.4 / 77.1 (1736 / 1957)
	500 / 45 - 20 Flotation 16 Ply Bias Tires	70.4 / 79.2 (1788 / 2012)	70.4 / 79.2 (1788 / 2012)	72.2 / 78.1 (1834 / 1983)	72.2 / 78.1 (1834 / 1983)
600 / 40 - 22.5 Flotation Bias Tires	-	-	79.6 (2022)	79.6 (2022)	

¹ Per ISO 14396

Gehl reserves the right to make changes in specifications at any time without notice or obligation.



12



Gehl Company reminds users to read and understand the operator's manual before operating any equipment. Also, make sure all safety devices and shields are in place and functioning properly.

Gehl reserves the right to add improvements or make changes in specifications at any time without notice or obligation.

TIRE OPTIONS



HIGH
FLOTATION

Ag / Industrial Tires



NON-DIRECTIONAL
SELF-CLEANING

On / Off Road / Industrial Tires



AG/INDUSTRIAL
HYBRID UNIVERSAL

On / Off Road Tires



GEHL COMPACT EQUIPMENT

West Bend, WI 53095 U.S.A.
Tel: 262-334-9461 | Fax: 262-338-7517